

Swingotilt®

ST22

Machines 16 - 22 tonnes

Extreme flexibility and maximum safety.

The grease lubricated Swingotilt® enables the excavator arm to make one endless rotation and tilt up to 40° in each direction. This means that the arm and bucket can bypass various obstacles, release loads easier and reduce the need for manual assistance with maneuvers. Swingotilt® increases safety for both the driver and those around the excavator.

Swingotilt® ST22 is supplied complete with hydraulic hoses, hydraulic connections, wiring and installation manual.

ST22 can be adapted for most machines in the size range. It is available with most types of quick coupler systems, and with a direct mounted upper/lower section.

Available with double-acting cylinder or telescopic cylinder.



TECHNICAL SPECIFICATION SWINGOTILT® ST22

Infinite rotation 360°

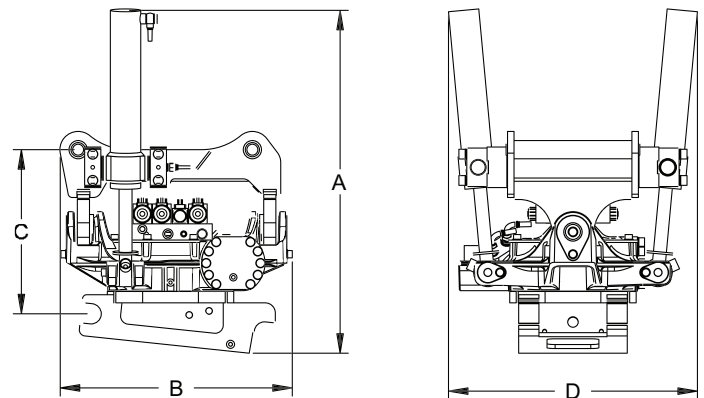
Tilting 2 x 40°

12/24VDC

Grease lubricated

Valve system

System Pro
System P
System TXSC
System TXC
System TS



Mounting	B20 / S1	S60	SMP2, T620
Approx weight (kg)	650	550	620
Dimensions A / B / C / D	1130 / 1000 / 570 / 850	1000 / 830 / 600 / 830	1060 / 910 / 620 / 850
Tilt angle	2 x 40°		
Rotation	Infinite 360°		
Oil flow Min / Max	40 / 80 L/min		
Operating pressure Min / Max	18 / 35 Mpa		
Tilt torque at 21 Mpa	52,24 kNm		
Rotation speed	7 sec / rotation		
Torque	7000 Nm		

Weights can vary depending on design of product